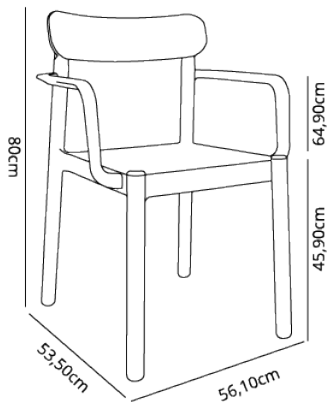


## CHAIRS ELBA

Designed by David Carrasco Barceló

### DESCRIPTION

Stackable, light and resistant, ELBA and DANNA are inspired by the most traditional chairs, where the simplicity of the forms takes center stage, using the minimum amount of material to make them lighter, thus optimizing the use of plastic. The combination of the different backrests complement each other, making the two chairs suitable for both interior and exterior, integrating into the environment, the two chairs being able to coexist at the same time without looking out of context.



### DANNA ARMCHAIR

Armchair for indoor and outdoor use. Injected with PP. Stackable. UV protection. Chair's net weight 3,6 kg (7.93 lb).

### MEASUREMENTS

W 56,1cm x L 53,5cm x H 80cm x Hs 45,98cm x Ha 64,9cm  
W 22.09in x L 21.07in x H 31.5in x Hs 18.11in x Ha 25.56in

### CHARACTERISTICS

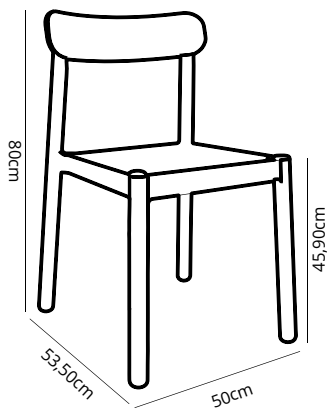
**Weight** 3,6 Kg.  
**Stackable** max 8 units

| STD units | Packaging dim. (cm) | Units Container 20' | Units Container 40' | Units Container HC | Units Traylor 70m <sup>3</sup> | Units Truck 100m <sup>3</sup> |
|-----------|---------------------|---------------------|---------------------|--------------------|--------------------------------|-------------------------------|
| 4x        | 60.7 x 73.7 x 96.9  | 260                 | 548                 | 632                | 652                            | 912                           |
| 6x        | 61 x 80 x 110       | 312                 | 690                 | 786                | 888                            | 1044                          |
| p20       | 108 x 58 x 220      | 480                 | 960                 | 960                | 1080                           | 1160                          |

### CERTIFICATIONS

UNE-EN 16139, UNE-EN 581-2, UNE-EN 581-1

### COLOR



### DANNA CHAIR

Chair for indoor and outdoor use. Injected with PP. Stackable. UV protection. Chair's net weight 3,15 kg (6.94 lb)

### MEASUREMENTS

W 50cm x L 53,5cm x H 80cm x Hs 45,9cm  
W 19.69in x L 21.07in x H 31.5in x Hs 18.08in

### CHARACTERISTICS

**Weight** 3,15 Kg.  
**Stackable** max 10 units

| STD units | Packaging dim. (cm) | Units Container 20' | Units Container 40' | Units Container HC | Units Traylor 70m <sup>3</sup> | Units Truck 100m <sup>3</sup> |
|-----------|---------------------|---------------------|---------------------|--------------------|--------------------------------|-------------------------------|
| 4x        | 60.7 x 73.7 x 96.9  | 260                 | 548                 | 632                | 652                            | 912                           |
| 6x        | 61 x 80 x 110       | 312                 | 690                 | 786                | 888                            | 1044                          |
| p20       | 108 x 58 x 220      | 480                 | 960                 | 960                | 1080                           | 1160                          |

### CERTIFICATIONS

UNE-EN 16139, UNE-EN 581-2, UNE-EN 581-1

### COLOR

