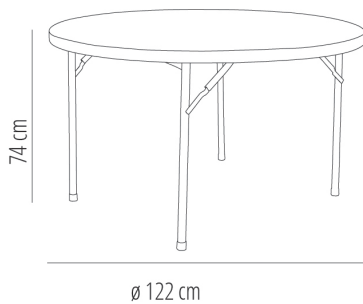


Ref. 66282 - EAN 8411344662823

ROSSINI TABLE TABLETOP GREY

DESCRIPTION

Folding painted steel frame table. Table top of high density polyethylene in light grey. Table top thickness: 45 mm. Leakproof table top in one sole piece without joints. Net weight: 12 kg (26.45 lb). Ergonomic crossbeams.



MEASUREMENTS

W 122cm x **L** 122cm x **H** 74cm x **Ø** 122cm

W 48.04in x **L** 48.04in x **H** 29.14in x **Ø** 48.04in

CHARACTERISTICS

Weight 12 Kg.

STD units	Packaging dim. (cm)	Units Container 20'	Units Container 40'	Units Container HC	Units Traylor 70m ³	Units Truck 100m ³
1X	123 x 123 x 4.4	253	505	566	609	871
P34	125 x 125 x 215	136	306	306	340	408

COLOR



Grey

PEDESTAL COLOR



CATE_PAGR

CATE_PAGR

CATE_PAGR

SUSTAINABLE PRODUCTION - ENVIRONMENTAL COMMITMENT



Resol invests money and resources for research and search for more sustainable processes.



All **Resol** products are produced with a responsible use of water.



Dangerous chemicals are not used under any circumstances during production.



At **Resol**, all waste is managed in a sustainable and responsible way.

