

Ref. 00110 - **EAN 8411344001103**

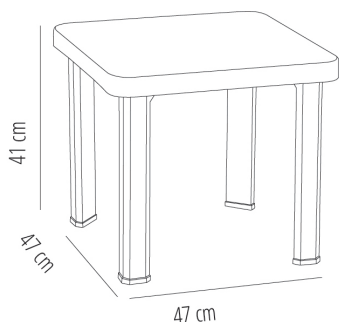
ANDORRA TABLE **TABLETOP WHITE**

DESCRIPTION

Polypropylene side table. UV Protection. Pressure-fitted legs. Net weight 2.14 kg (4.71 lb).

CERTIFICATIONS

UNE-EN 581-3



MEASUREMENTS

W 47cm x **L** 47cm x **H** 41cm

W 18.51in x **L** 18.51in x **H** 16.15in

CHARACTERISTICS

Weight 2,14 Kg.

STD units	Packaging dim. (cm)	Units Container 20'	Units Container 40'	Units Container HC	Units Traylor 70m ³	Units Truck 100m ³
6X	48 x 52 x 48	1320	2400	3300	3984	
P120	100 x 120 x 215		2400		2640	
P136	100 x 120 x 235		2720		2992	

COLOR



White

RAL 9016

SUSTAINABLE PRODUCTION - ENVIRONMENTAL COMMITMENT



Resol invests money and resources for research and search for more sustainable processes.



All **Resol** products are produced with a responsible use of water.



Dangerous chemicals are not used under any circumstances during production.



At **Resol**, all waste is managed in a sustainable and responsible way.

